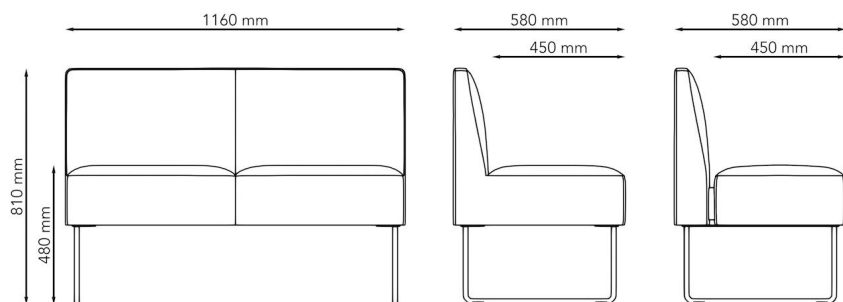


Mingle

SOFA, 2-SEATER

Mingle is a modular sofa system designed to allow for flexible and comfortable seating solutions on a small surface. With straight or curved modules for seats and tables, as well as fixed combinations, Mingle offers many possibilities for modern and scalable lounge- and seating areas or meeting places.

Mingle sofa is available as two- or three- seater and is easy to vary with two back heights, and with or without armrests / high sides. With the high back, the sofa also serves as secluded seating for the room-in-room and meeting area. A small, flexible table which is fastened under the seat is available as option.



MODEL	Sofa	
VARIANTS	<ul style="list-style-type: none"> – Low back – Armrests – Metal legs 	<ul style="list-style-type: none"> – High back – Sledge – Wooden legs
ACCESSORIES	<ul style="list-style-type: none"> – Connection fitting – Power and cable management – RAL Classic 	
DETAILS	<ul style="list-style-type: none"> – Möbelfakta exception: chrome sledge and wooden legs not included in the Möbelfakta certificate. Upholstery in two different colors of fabric or leather. 	
CONSTRUCTION	<p>Wooden seating frame made of board and solid wood. Cold-foam padding, fully upholstered. Sledge frame, made of Ø12 mm steel tube. Ø30 mm straight metal legs, made of powder-coated steel tube. Round, straight solid-wood legs Ø45 mm.</p>	
DIMENSIONS	<p>Height: 810 mm</p> <p>Depth: 580 mm</p> <p>Seat height: 480 mm</p>	<p>Width: 1160 mm</p> <p>Seat height (with load): 420 mm</p> <p>Sit depth: 450 mm</p>
WEIGHT	24.0 kg	
TESTED	EN 16139, EN 1728	

WARRANTY

5 years

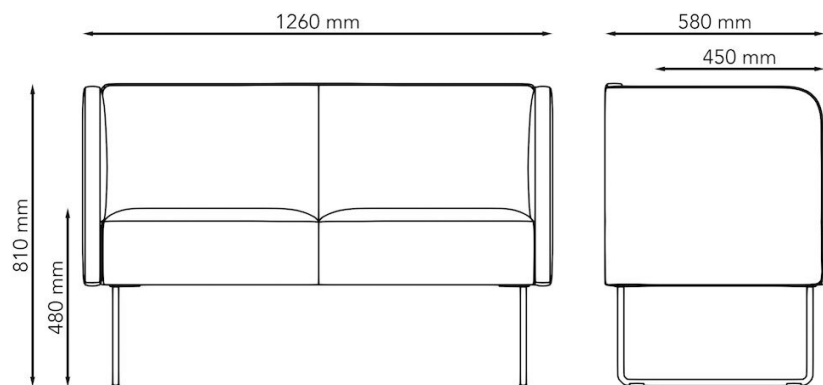
Mingle

SOFA, 2-SEATER

Mingle is a modular sofa system designed to allow for flexible and comfortable seating solutions on a small surface. With straight or curved modules for seats and tables, as well as fixed combinations, Mingle offers many possibilities for modern and scalable lounge- and seating areas or meeting places.

Mingle sofa is available as two- or three- seater and is easy to vary with two back heights, and with or without armrests / high sides. With the high back, the sofa also serves as secluded seating for the room-in-room and meeting area. A small, flexible table which is fastened under the seat is available as option.

Armrest right & left



MODEL	Sofa	
VARIANTS	– Low back – Armrests – Metal legs	– High back – Sledge – Wooden legs
ACCESSORIES	– Connection fitting – Power and cable management – RAL Classic	
DETAILS	– Möbelfakta exception: chrome sledge and wooden legs not included in the Möbelfakta certificate. Upholstery in two different colors of fabric or leather.	
CONSTRUCTION	Wooden seating frame made of board and solid wood. Cold-foam padding, fully upholstered. Sledge frame, made of Ø12 mm steel tube. Ø30 mm straight metal legs, made of powder-coated steel tube. Round, straight solid-wood legs Ø45 mm.	
DIMENSIONS	Height: 810 mm Depth: 580 mm Seat height: 480 mm	Width: 1260 mm Seat height (with load): 420 mm Sit depth: 450 mm
WEIGHT	37.0 kg	
TESTED	EN 16139, EN 1728	

WARRANTY

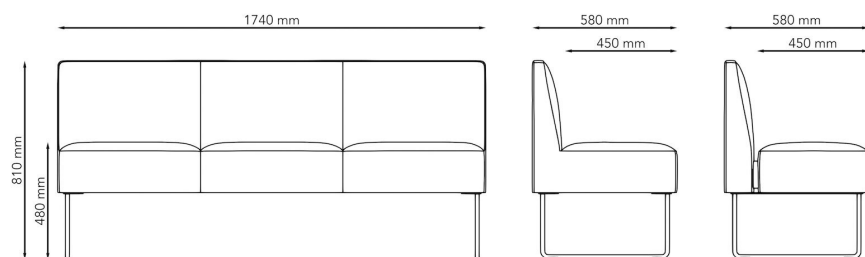
5 years

Mingle

SOFA, 3-SEATER

Mingle is a modular sofa system designed to allow for flexible and comfortable seating solutions on a small surface. With straight or curved modules for seats and tables, as well as fixed combinations, Mingle offers many possibilities for modern and scalable lounge- and seating areas or meeting places.

Mingle sofa is available as two- or three- seater and is easy to vary with two back heights, and with or without armrests / high sides. With the high back, the sofa also serves as secluded seating for the room-in-room and meeting area. A small, flexible table which is fastened under the seat is available as option.



MODEL	Sofa	
VARIANTS	<ul style="list-style-type: none"> – Low back – Armrests – Metal legs 	<ul style="list-style-type: none"> – High back – Sledge – Wooden legs
ACCESSORIES	<ul style="list-style-type: none"> – Connection fitting – Power and cable management – RAL Classic 	
DETAILS	<ul style="list-style-type: none"> – Möbelfakta exception: chrome sledge and wooden legs not included in the Möbelfakta certificate. Upholstery in two different colors of fabric or leather. 	
CONSTRUCTION	<p>Wooden seating frame made of board and solid wood. Cold-foam padding, fully upholstered. Sledge frame, made of Ø12 mm steel tube. Ø30 mm straight metal legs, made of powder-coated steel tube. Round, straight solid-wood legs Ø45 mm.</p>	
DIMENSIONS	Height: 810 mm Depth: 580 mm Seat height: 480 mm	Width: 1740 mm Seat height (with load): 420 mm Sit depth: 450 mm
WEIGHT	32.0 kg	
TESTED	EN 16139, EN 1728	

WARRANTY

5 years

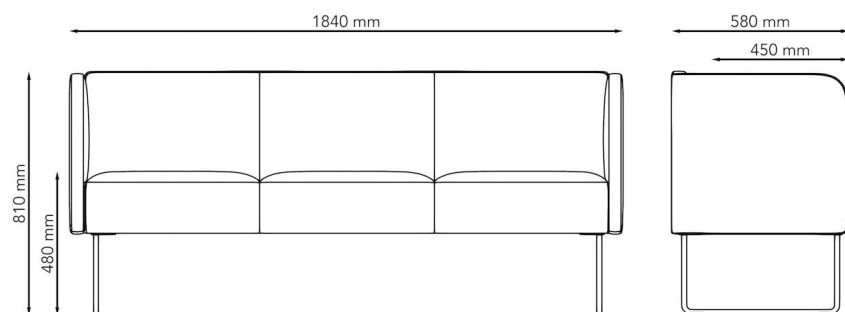
Mingle

SOFA, 3-SEATER

Mingle is a modular sofa system designed to allow for flexible and comfortable seating solutions on a small surface. With straight or curved modules for seats and tables, as well as fixed combinations, Mingle offers many possibilities for modern and scalable lounge- and seating areas or meeting places.

Mingle sofa is available as two- or three- seater and is easy to vary with two back heights, and with or without armrests / high sides. With the high back, the sofa also serves as secluded seating for the room-in-room and meeting area. A small, flexible table which is fastened under the seat is available as option.

Armrests right & left



MODEL	Sofa	
VARIANTS	<ul style="list-style-type: none"> – Low back – Armrests – Metal legs 	<ul style="list-style-type: none"> – High back – Sledge – Wooden legs
ACCESSORIES	<ul style="list-style-type: none"> – Connection fitting – Power and cable management – RAL Classic 	
DETAILS	<ul style="list-style-type: none"> – Möbelfakta exception: chrome sledge and wooden legs not included in the Möbelfakta certificate. Upholstery in two different colors of fabric or leather. 	
CONSTRUCTION	<p>Wooden seating frame made of board and solid wood. Cold-foam padding, fully upholstered. Sledge frame, made of Ø12 mm steel tube. Ø30 mm straight metal legs, made of powder-coated steel tube. Round, straight solid-wood legs Ø45 mm.</p>	
DIMENSIONS	<p>Height: 810 mm</p> <p>Depth: 580 mm</p> <p>Seat height: 480 mm</p>	<p>Width: 1840 mm</p> <p>Seat height (with load): 420 mm</p> <p>Sit depth: 450 mm</p>
WEIGHT	45.0 kg	
TESTED	EN 16139, EN 1728	

WARRANTY

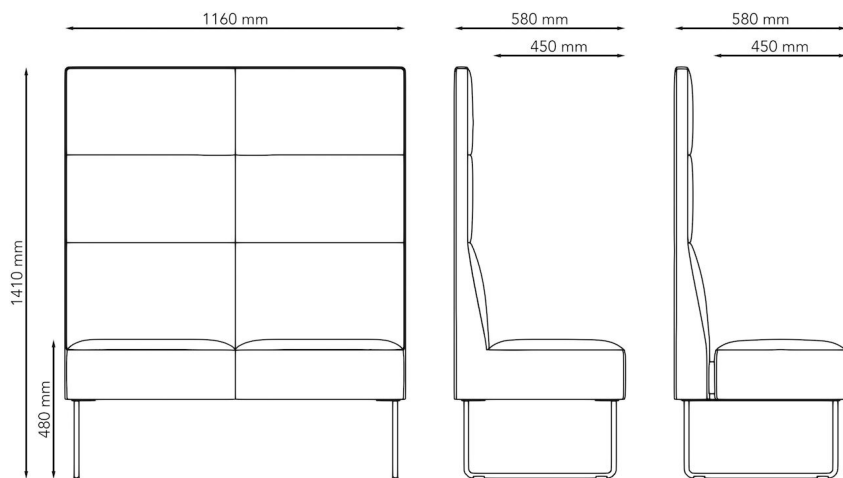
5 years

Mingle

SOFA, 2-SEATER, HIGH BACK

Mingle is a modular sofa system designed to allow for flexible and comfortable seating solutions on a small surface. With straight or curved modules for seats and tables, as well as fixed combinations, Mingle offers many possibilities for modern and scalable lounge- and seating areas or meeting places.

Mingle sofa is available as two- or three- seater and is easy to vary with two back heights, and with or without armrests / high sides. With the high back, the sofa also serves as secluded seating for the room-in-room and meeting area. A small, flexible table which is fastened under the seat is available as option.



MODEL	Sofa	
VARIANTS	<ul style="list-style-type: none"> – Low back – Armrests – Metal legs 	<ul style="list-style-type: none"> – High back – Sledge – Wooden legs
ACCESSORIES	<ul style="list-style-type: none"> – Connection fitting – Power and cable management – RAL Classic 	
DETAILS	<ul style="list-style-type: none"> – Möbelfakta exception: chrome sledge and wooden legs not included in the Möbelfakta certificate. Upholstery in two different colors of fabric or leather. 	
CONSTRUCTION	<p>Wooden seating frame made of board and solid wood. Cold-foam padding, fully upholstered. Sledge frame, made of Ø12 mm steel tube. Ø30 mm straight metal legs, made of powder-coated steel tube. Round, straight solid-wood legs Ø45 mm.</p>	
DIMENSIONS	<p>Height: 1410 mm</p> <p>Depth: 580 mm</p> <p>Seat height: 480 mm</p>	<p>Width: 1160 mm</p> <p>Seat height (with load): 420 mm</p> <p>Sit depth: 450 mm</p>
TESTED	EN 16139, EN 1728	
WARRANTY	5 years	

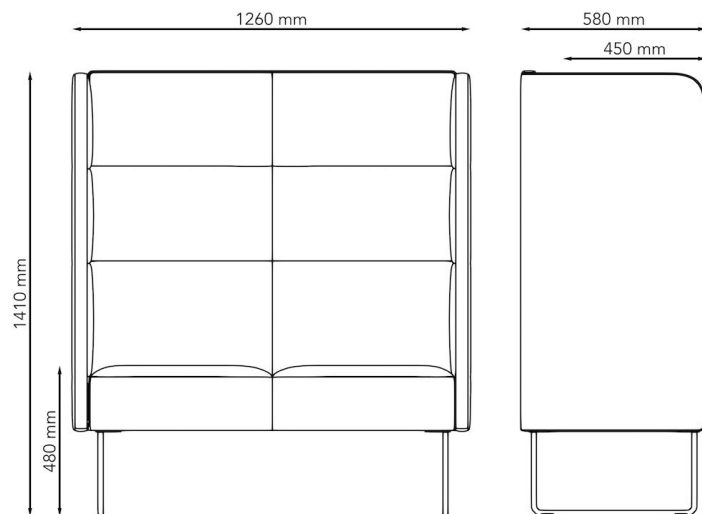
Mingle

SOFA, 2-SEATER, HIGH BACK

Mingle is a modular sofa system designed to allow for flexible and comfortable seating solutions on a small surface. With straight or curved modules for seats and tables, as well as fixed combinations, Mingle offers many possibilities for modern and scalable lounge- and seating areas or meeting places.

Mingle sofa is available as two- or three- seater and is easy to vary with two back heights, and with or without armrests / high sides. With the high back, the sofa also serves as secluded seating for the room-in-room and meeting area. A small, flexible table which is fastened under the seat is available as option.

High sides right & left



MODEL	Sofa	
VARIANTS	<ul style="list-style-type: none"> – Low back – Armrests – Metal legs 	<ul style="list-style-type: none"> – High back – Sledge – Wooden legs
ACCESSORIES	<ul style="list-style-type: none"> – Connection fitting – Power and cable management – RAL Classic 	
DETAILS	<ul style="list-style-type: none"> – Möbelfakta exception: chrome sledge and wooden legs not included in the Möbelfakta certificate. Upholstery in two different colors of fabric or leather. 	
CONSTRUCTION	<p>Wooden seating frame made of board and solid wood. Cold-foam padding, fully upholstered. Sledge frame, made of Ø12 mm steel tube. Ø30 mm straight metal legs, made of powder-coated steel tube. Round, straight solid-wood legs Ø45 mm.</p>	
DIMENSIONS	<p>Height: 1410 mm</p> <p>Depth: 580 mm</p> <p>Seat height: 480 mm</p>	<p>Width: 1260 mm</p> <p>Seat height (with load): 420 mm</p> <p>Sit depth: 450 mm</p>
WEIGHT	36.0 kg	
TESTED	EN 16139, EN 1728	

WARRANTY

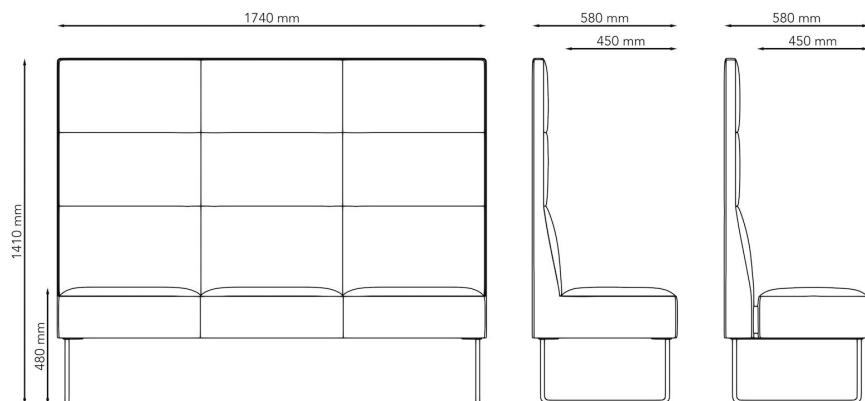
5 years

Mingle

SOFA, 3-SEATER, HIGH BACK

Mingle is a modular sofa system designed to allow for flexible and comfortable seating solutions on a small surface. With straight or curved modules for seats and tables, as well as fixed combinations, Mingle offers many possibilities for modern and scalable lounge- and seating areas or meeting places.

Mingle sofa is available as two- or three- seater and is easy to vary with two back heights, and with or without armrests / high sides. With the high back, the sofa also serves as secluded seating for the room-in-room and meeting area. A small, flexible table which is fastened under the seat is available as option.



MODEL	Sofa	
VARIANTS	<ul style="list-style-type: none"> – Low back – Armrests – Metal legs 	<ul style="list-style-type: none"> – High back – Sledge – Wooden legs
ACCESSORIES	<ul style="list-style-type: none"> – Connection fitting – Power and cable management – RAL Classic 	
DETAILS	<ul style="list-style-type: none"> – Möbelfakta exception: chrome sledge and wooden legs not included in the Möbelfakta certificate. Upholstery in two different colors of fabric or leather. 	
CONSTRUCTION	<p>Wooden seating frame made of board and solid wood. Cold-foam padding, fully upholstered. Sledge frame, made of Ø12 mm steel tube. Ø30 mm straight metal legs, made of powder-coated steel tube. Round, straight solid-wood legs Ø45 mm.</p>	
DIMENSIONS	<p>Height: 1410 mm</p> <p>Depth: 580 mm</p> <p>Seat height: 480 mm</p>	<p>Width: 1740 mm</p> <p>Seat height (with load): 420 mm</p> <p>Sit depth: 450 mm</p>
WEIGHT	42.5 kg	
TESTED	EN 16139, EN 1728	

WARRANTY

5 years

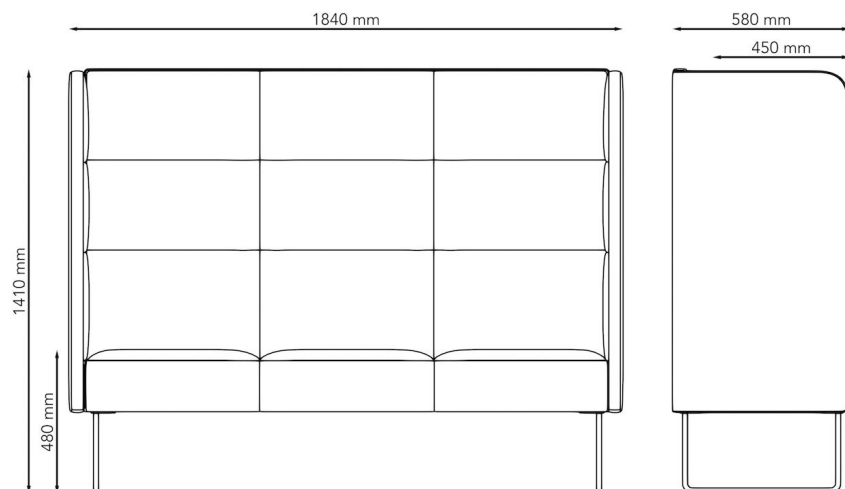
Mingle

SOFA, 3-SEATER, HIGH BACK

Mingle is a modular sofa system designed to allow for flexible and comfortable seating solutions on a small surface. With straight or curved modules for seats and tables, as well as fixed combinations, Mingle offers many possibilities for modern and scalable lounge- and seating areas or meeting places.

Mingle sofa is available as two- or three- seater and is easy to vary with two back heights, and with or without armrests / high sides. With the high back, the sofa also serves as secluded seating for the room-in-room and meeting area. A small, flexible table which is fastened under the seat is available as option.

High sides right & left



MODEL	Sofa	
VARIANTS	– Low back – Armrests – Metal legs	– High back – Sledge – Wooden legs
ACCESSORIES	– Connection fitting – Power and cable management – RAL Classic	
DETAILS	– Möbelfakta exception: chrome sledge and wooden legs not included in the Möbelfakta certificate. Upholstery in two different colors of fabric or leather.	
CONSTRUCTION	Wooden seating frame made of board and solid wood. Cold-foam padding, fully upholstered. Sledge frame, made of Ø12 mm steel tube. Ø30 mm straight metal legs, made of powder-coated steel tube. Round, straight solid-wood legs Ø45 mm.	
DIMENSIONS	Height: 1410 mm Depth: 580 mm Seat height: 480 mm	Width: 1840 mm Seat height (with load): 420 mm Sit depth: 450 mm
WEIGHT	46.0 kg	
TESTED	EN 16139, EN 1728	

WARRANTY

5 years
