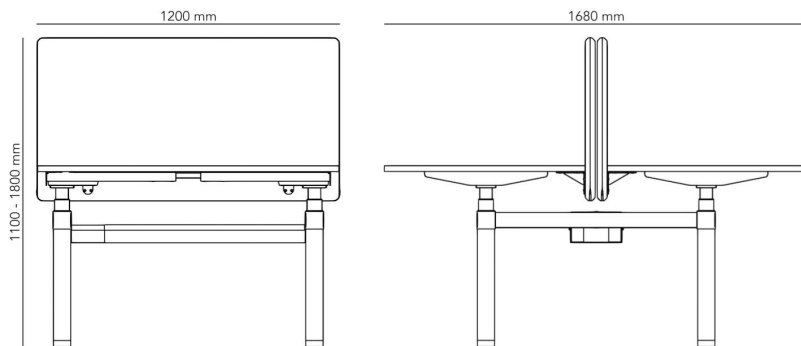


Bench

SIT/STAND, MOTOR-OPERATED, 2 INDIVIDUAL TABLE SCREENS

Bench is an electrically height-adjustable desk system in modules of two workstations. The desks form a system solution with associated linking beams and cable ducts that can be connected to adjacent desks. The system makes office planning faster and more manageable, while also supporting easy scaling and expansion over time. The power supply to all workstations is also simplified, as one desk can be connected to adjacent clusters. The airy and clean design of the frames creates a consistent aesthetic expression in open and dynamic work environments and contributes to a structured and easy-to-maintain workspace.



VARIANTS

- Two workstations
- Two workstations, shared screen
- Two workstations, individual table screens

ACCESSORIES

- Power and cable management
- Table screen
- Standing mat
- Linking cable duct

DETAILS

– Motorised height-adjustable desk, one motor in each leg. The frames are raised and lowered continuously and independently of each other. Predefined desk sizes: 1200 × 800 mm, 1400 × 800 mm and 1600 × 800 mm. Square legs with the thicker section of the leg facing downwards. Straight leg ends without T-foot, with adjustable feet for levelling on the floor. Telescopic cable duct with lid for power cables, as well as cable trays for electrical accessories are included. Stroke length 650 mm. 160 kg lifting capacity (80 kg per table top), evenly distributed weight.

Bench is available in three versions: without table screen, with one shared/fixe table screen, or with two individual screens. For Bench without screens, a screen solution with one shared screen or two individual screens can be ordered separately. The shared screen has concealed fittings. Bench with one shared screen can be reconfigured into two individual screens and vice versa.

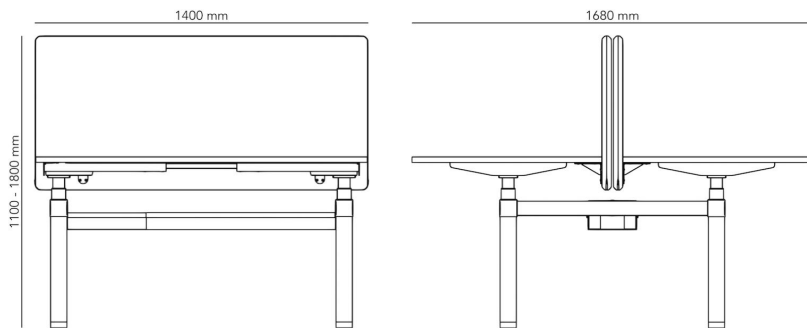
Cable duct for linking multiple workstations, concealing cable connections between desks, is available as an accessory. All versions of Bench can be converted into two individual desks if needed.

| | | |
|--------------|--|--|
| CONSTRUCTION | <p>Motorised metal frame in powder-coated steel with rectangular legs and a straight metal foot, with adjustable plastic feet. Continuously adjustable frame rails in steel profile, adjustable within the range 1200–1600 mm. Telescopic cable duct with cover lid in powder-coated steel, in the same colour as the legs. Cable trays in 0.7 mm sheet steel, brackets in 2 mm sheet steel. Linking duct (accessory) in powder-coated steel, available in the same colours as the frames. Screens: core in particleboard, covered with padding in polyurethane foam and fabric. Total screen thickness 40 mm. The upholstery has a zipper at the bottom edge, in a colour matching the fabric. Individual screens are fixed to the table top with angle brackets in 5 mm lacquered sheet steel.</p> | |
| DIMENSIONS | <p>Height: 1100-1800 mm Width: 1680 mm Stroke: 650 mm</p> | <p>Length: 1200 mm Maximum load: 160 kg</p> |
| WEIGHT | 135.0 kg | |
| TESTED | EN 527-1-2, EN 1730 | |
| WARRANTY | 5 years | |

Bench

SIT/STAND, MOTOR-OPERATED, 2 INDIVIDUAL TABLE SCREENS

Bench is an electrically height-adjustable desk system in modules of two workstations. The desks form a system solution with associated linking beams and cable ducts that can be connected to adjacent desks. The system makes office planning faster and more manageable, while also supporting easy scaling and expansion over time. The power supply to all workstations is also simplified, as one desk can be connected to adjacent clusters. The airy and clean design of the frames creates a consistent aesthetic expression in open and dynamic work environments and contributes to a structured and easy-to-maintain workspace.



VARIANTS

- Two workstations
- Two workstations, shared screen
- Two workstations, individual table screens

ACCESSORIES

- Power and cable management
- Table screen
- Standing mat
- Linking cable duct

DETAILS

– Motorised height-adjustable desk, one motor in each leg. The frames are raised and lowered continuously and independently of each other. Predefined desk sizes: 1200 × 800 mm, 1400 × 800 mm and 1600 × 800 mm. Square legs with the thicker section of the leg facing downwards. Straight leg ends without T-foot, with adjustable feet for levelling on the floor. Telescopic cable duct with lid for power cables, as well as cable trays for electrical accessories are included. Stroke length 650 mm. 160 kg lifting capacity (80 kg per table top), evenly distributed weight.

Bench is available in three versions: without table screen, with one shared/fixe table screen, or with two individual screens. For Bench without screens, a screen solution with one shared screen or two individual screens can be ordered separately. The shared screen has concealed fittings. Bench with one shared screen can be reconfigured into two individual screens and vice versa.

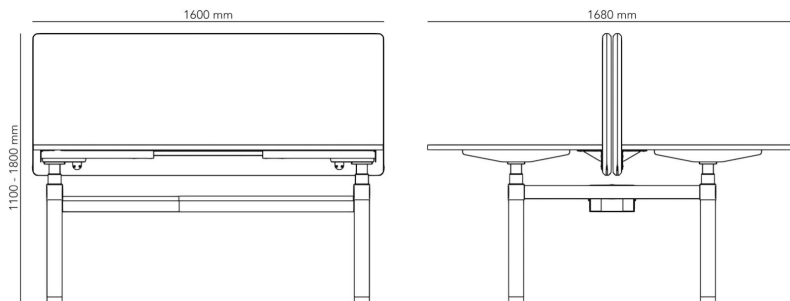
Cable duct for linking multiple workstations, concealing cable connections between desks, is available as an accessory. All versions of Bench can be converted into two individual desks if needed.

| | | |
|--------------|--|---|
| CONSTRUCTION | <p>Motorised metal frame in powder-coated steel with rectangular legs and a straight metal foot, with adjustable plastic feet. Continuously adjustable frame rails in steel profile, adjustable within the range 1200–1600 mm. Telescopic cable duct with cover lid in powder-coated steel, in the same colour as the legs. Cable trays in 0.7 mm sheet steel, brackets in 2 mm sheet steel. Linking duct (accessory) in powder-coated steel, available in the same colours as the frames. Screens: core in particleboard, covered with padding in polyurethane foam and fabric. Total screen thickness 40 mm. The upholstery has a zipper at the bottom edge, in a colour matching the fabric. Individual screens are fixed to the table top with angle brackets in 5 mm lacquered sheet steel.</p> | |
| DIMENSIONS | <p>Height: 1100-1800 mm Width: 1680 mm Stroke: 650 mm</p> | <p>Length: 1400 mm Maximum load: 160 kg</p> |
| WEIGHT | 116.8 kg | |
| TESTED | EN 527-1-2, EN 1730 | |
| WARRANTY | 5 years | |

Bench

SIT/STAND, MOTOR-OPERATED, 2 INDIVIDUAL TABLE SCREENS

Bench is an electrically height-adjustable desk system in modules of two workstations. The desks form a system solution with associated linking beams and cable ducts that can be connected to adjacent desks. The system makes office planning faster and more manageable, while also supporting easy scaling and expansion over time. The power supply to all workstations is also simplified, as one desk can be connected to adjacent clusters. The airy and clean design of the frames creates a consistent aesthetic expression in open and dynamic work environments and contributes to a structured and easy-to-maintain workspace.



VARIANTS

- Two workstations
- Two workstations, shared screen
- Two workstations, individual table screens

ACCESSORIES

- Power and cable management
- Table screen
- Standing mat
- Linking cable duct

DETAILS

– Motorised height-adjustable desk, one motor in each leg. The frames are raised and lowered continuously and independently of each other. Predefined desk sizes: 1200 × 800 mm, 1400 × 800 mm and 1600 × 800 mm. Square legs with the thicker section of the leg facing downwards. Straight leg ends without T-foot, with adjustable feet for levelling on the floor. Telescopic cable duct with lid for power cables, as well as cable trays for electrical accessories are included. Stroke length 650 mm. 160 kg lifting capacity (80 kg per table top), evenly distributed weight.

Bench is available in three versions: without table screen, with one shared/fixe table screen, or with two individual screens. For Bench without screens, a screen solution with one shared screen or two individual screens can be ordered separately. The shared screen has concealed fittings. Bench with one shared screen can be reconfigured into two individual screens and vice versa.

Cable duct for linking multiple workstations, concealing cable connections between desks, is available as an accessory. All versions of Bench can be converted into two individual desks if needed.

| | | |
|--------------|--|---|
| CONSTRUCTION | <p>Motorised metal frame in powder-coated steel with rectangular legs and a straight metal foot, with adjustable plastic feet. Continuously adjustable frame rails in steel profile, adjustable within the range 1200–1600 mm. Telescopic cable duct with cover lid in powder-coated steel, in the same colour as the legs. Cable trays in 0.7 mm sheet steel, brackets in 2 mm sheet steel. Linking duct (accessory) in powder-coated steel, available in the same colours as the frames. Screens: core in particleboard, covered with padding in polyurethane foam and fabric. Total screen thickness 40 mm. The upholstery has a zipper at the bottom edge, in a colour matching the fabric. Individual screens are fixed to the table top with angle brackets in 5 mm lacquered sheet steel.</p> | |
| DIMENSIONS | <p>Height: 1100-1800 mm Width: 1680 mm Stroke: 650 mm</p> | <p>Length: 1600 mm Maximum load: 160 kg</p> |
| WEIGHT | 116.8 kg | |
| TESTED | EN 527-1-2, EN 1730 | |
| WARRANTY | 5 years | |